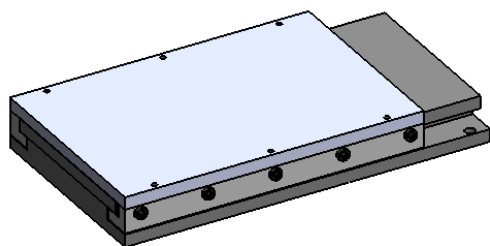
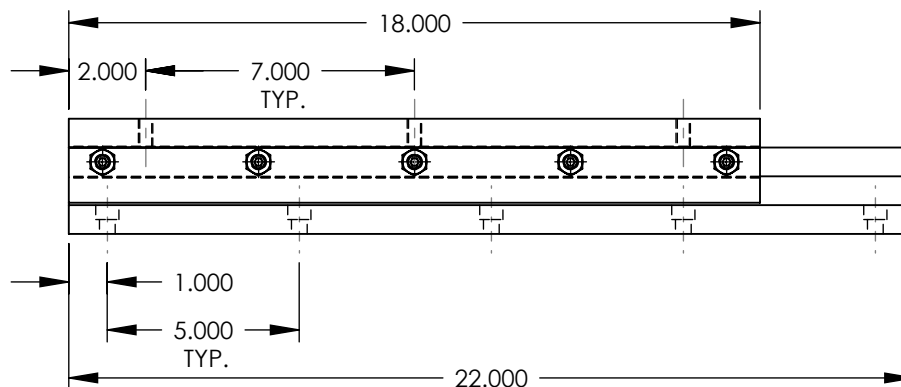
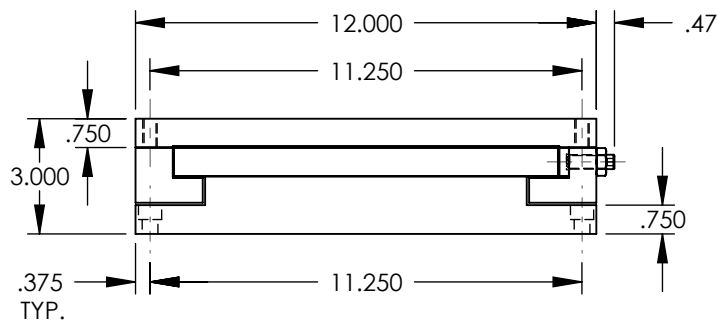
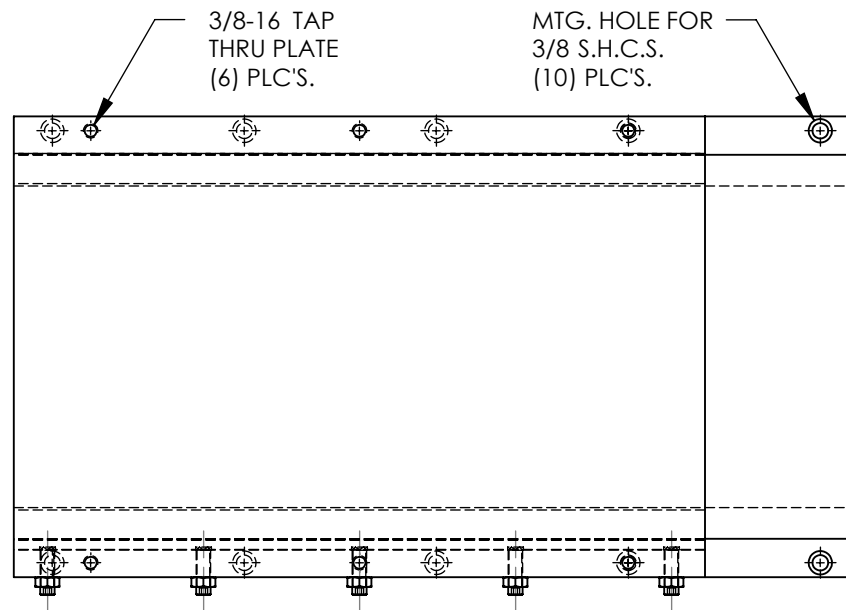


DET.	QTY.	DESCRIPTION
ASM	1	SW12-BL22 SLIDE BASE
ASM	1	SW12-SL18 SLIDE SADDLE

REV.	REVISION DESCRIPTION	DATE	APPROVED



MODEL NAME: Gen2 SLIDE

PROPRIETARY AND CONFIDENTIAL THE INFORMATION CONTAINED IN THIS DRAWING IS THE SOLE PROPERTY OF AUTOMATED INDUSTRIAL MOTION. ANY REPRODUCTION IN PART OR AS A WHOLE WITHOUT THE WRITTEN PERMISSION OF AUTOMATED INDUSTRIAL MOTION IS PROHIBITED.	NAME	DATE	DURA-BOND SLIDE TITLE: <h2 style="text-align: center;">GEN II SLIDE</h2>		
	DRAWN	JMW		9/3/10	
	CHECKED				
	ENG APPR.	Wierengo		10/1/10	
MATERIAL	UNLESS OTHERWISE SPECIFIED:		SIZE	DWG. NO.	REV
ASSEMBLY	DIMENSIONS ARE IN INCHES		A	SW12-SL18-BL22	-
HARDEN	TOLERANCES:				
FINISH	ANGULAR: MACH ±1/2 DEGREE				
	TWO PLACE DECIMAL ±.010				
		THREE PLACE DECIMAL ±.005	SCALE: NONE	WEIGHT: 162.6 lbs.	SHEET 1 OF 1
		FOUR PLACE DECIMAL ±.0005			