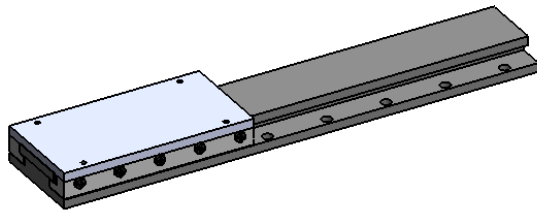
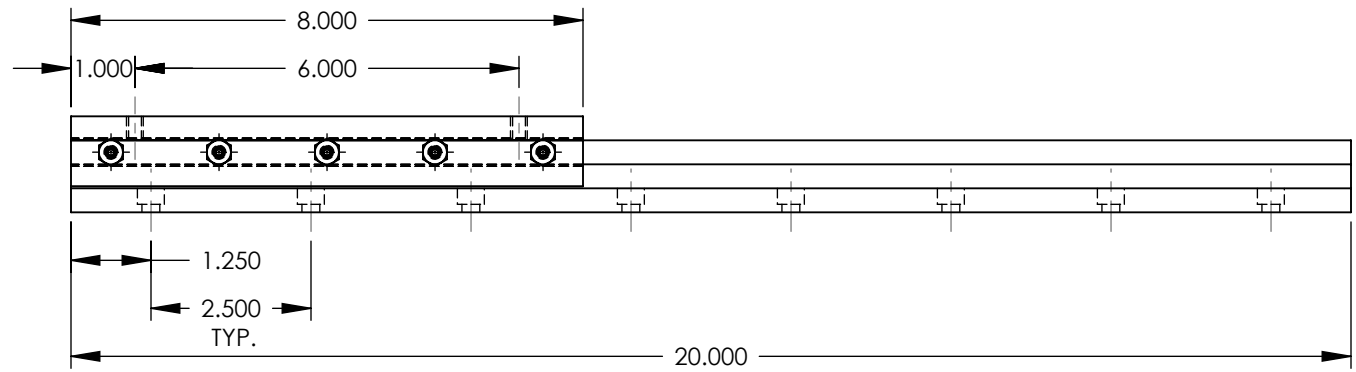
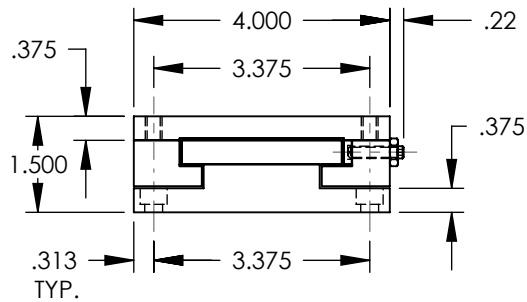
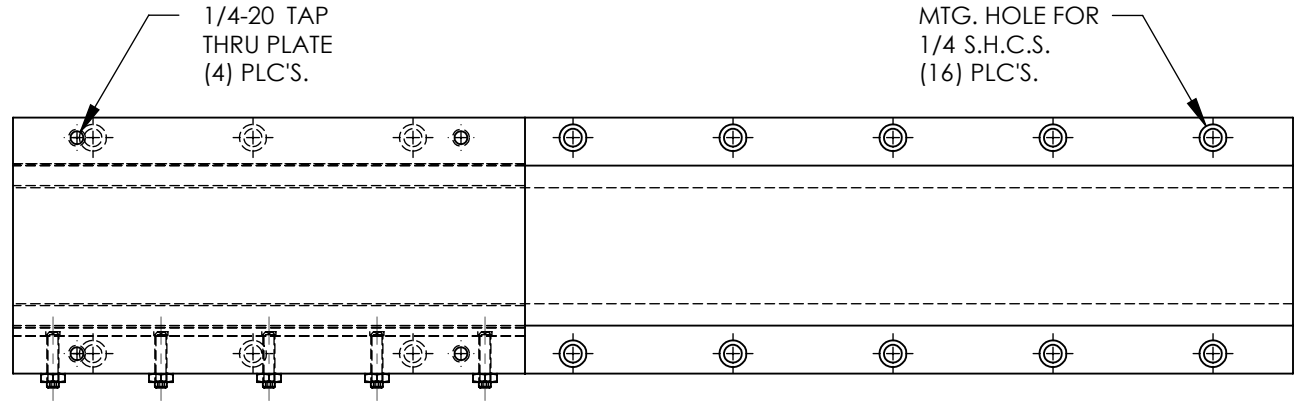


DET.	QTY.	DESCRIPTION
ASM	1	SW04-BL20 SLIDE BASE
ASM	1	SW04-SL08 SLIDE SADDLE

REV.	REVISION DESCRIPTION	DATE	APPROVED



MODEL NAME: Gen2 SLIDE

PROPRIETARY AND CONFIDENTIAL
 THE INFORMATION CONTAINED IN THIS DRAWING IS THE SOLE PROPERTY OF AUTOMATED INDUSTRIAL MOTION. ANY REPRODUCTION IN PART OR AS A WHOLE WITHOUT THE WRITTEN PERMISSION OF AUTOMATED INDUSTRIAL MOTION IS PROHIBITED.

MATERIAL
ASSEMBLY
 HARDEN
 FINISH

	NAME	DATE
DRAWN	JMW	9/3/10
CHECKED		
ENG APPR.	Wierengo	10/1/10

UNLESS OTHERWISE SPECIFIED:

DIMENSIONS ARE IN INCHES
 TOLERANCES:
 ANGULAR: MACH ± 1/2 DEGREE
 TWO PLACE DECIMAL ±.010
 THREE PLACE DECIMAL ±.005
 FOUR PLACE DECIMAL ±.0005

DURA-BOND SLIDE

TITLE:

GEN II SLIDE

SIZE	DWG. NO.	REV
A	SW04-SL08-BL20	-

SCALE: NONE	WEIGHT: 20.5 lbs.	SHEET 1 OF 1
-------------	-------------------	--------------