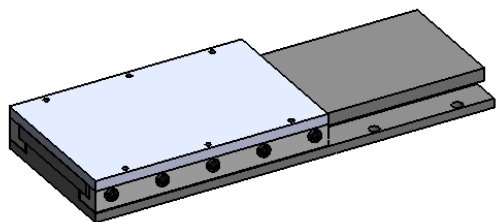
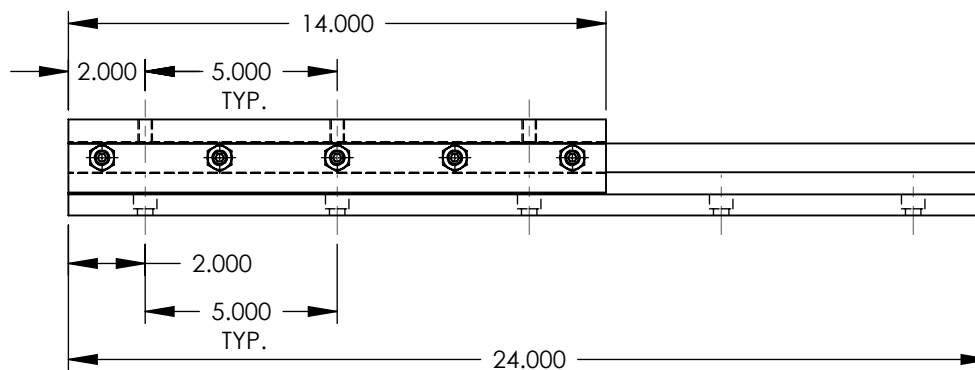
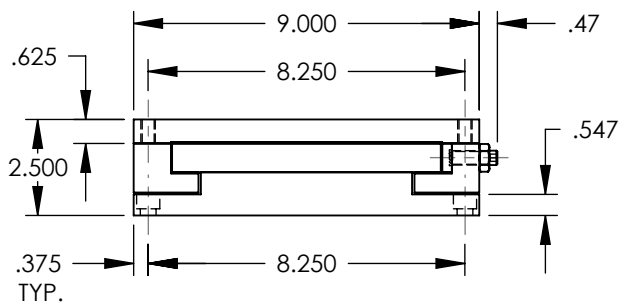
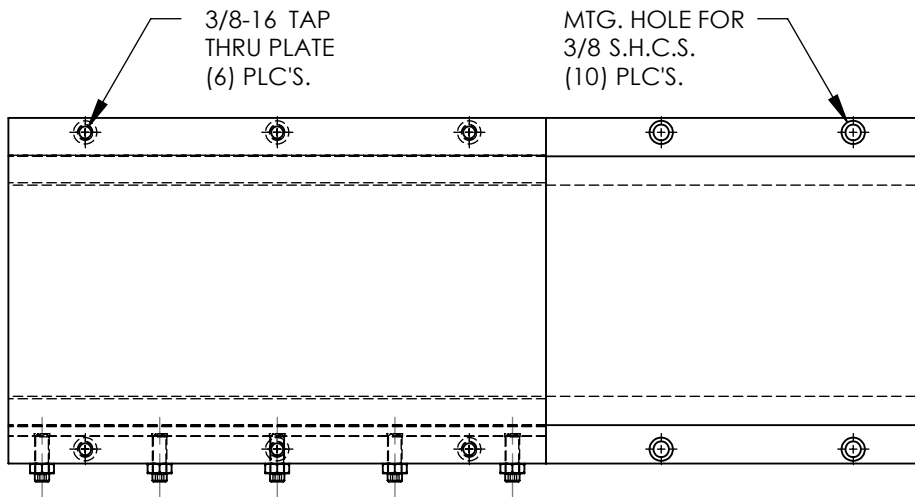


DET.	QTY.	DESCRIPTION
ASM	1	SW09-BL24 SLIDE BASE
ASM	1	SW09-SL14 SLIDE SADDLE

REV.	REVISION DESCRIPTION	DATE	APPROVED
------	----------------------	------	----------



MODEL NAME: Gen2 SLIDE

PROPRIETARY AND CONFIDENTIAL
 THE INFORMATION CONTAINED IN THIS DRAWING IS THE SOLE PROPERTY OF AUTOMATED INDUSTRIAL MOTION. ANY REPRODUCTION IN PART OR AS A WHOLE WITHOUT THE WRITTEN PERMISSION OF AUTOMATED INDUSTRIAL MOTION IS PROHIBITED.

MATERIAL
ASSEMBLY
 HARDEN
 FINISH

	NAME	DATE
DRAWN	JMW	9/3/10
CHECKED		
ENG APPR.	Wierengo	10/1/10
UNLESS OTHERWISE SPECIFIED:		
DIMENSIONS ARE IN INCHES		
TOLERANCES:		
ANGULAR: MACH ±1/2 DEGREE		
TWO PLACE DECIMAL ±.010		
THREE PLACE DECIMAL ±.005		
FOUR PLACE DECIMAL ±.0005		

DURA-BOND SLIDE

TITLE:
GEN II SLIDE

SIZE	DWG. NO.	REV
A	SW09-SL14-BL24	-

SCALE: NONE WEIGHT: 104.1 lbs. SHEET 1 OF 1